

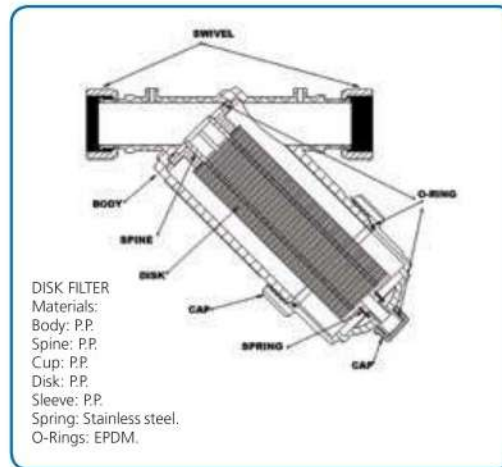
Eitan Manual Filters

Technical Specifications:

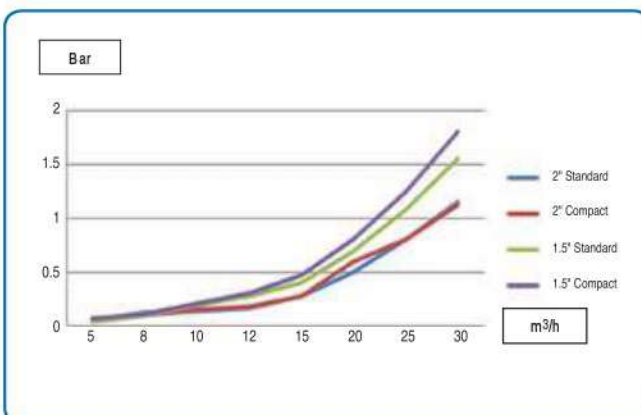
- Max. working pressure: 10 bar (145 psi).
- Threads: B.S.P.T. or N.P.T.
- Available sizes: ¾" -2".
- Flow rates: 5-20 m³/h (22- 88 gpm).
- Filtration elements: Disc, P.P / Screen stainless steel.

	Standard				Compact	
	¾"	1"	1½"	2"	1½"	2"
Flow Rate m3/h (gpm)	5 (22)	5 (22)	15(66)	20 (88)	15(66)	20 (88)
Screen Filter Area cm² (inch²)	140 (22)	140 (22)	552 (85)	670 (104)	420 (65)	420 (65)
Disk Filter area cm² (inch²)	180 (28)	180 (28)	385 (60)	488 (75)	290 (45)	290 (45)
Nylon Screen Mesh Range	40-200	40-200				
Stainless Steel Mesh Range	80-200	80-200	80-200	80-200	80-200	80-200
Disk Mesh Range	80-140	80-140	80-140	80-140	80-140	80-140

1½"-2"



1.5-2" EITAN DISC FILTERS HEAD LOSS



1.5-2" EITAN SCREEN FILTERS HEAD LOSS

